

Specification sheet LX 647

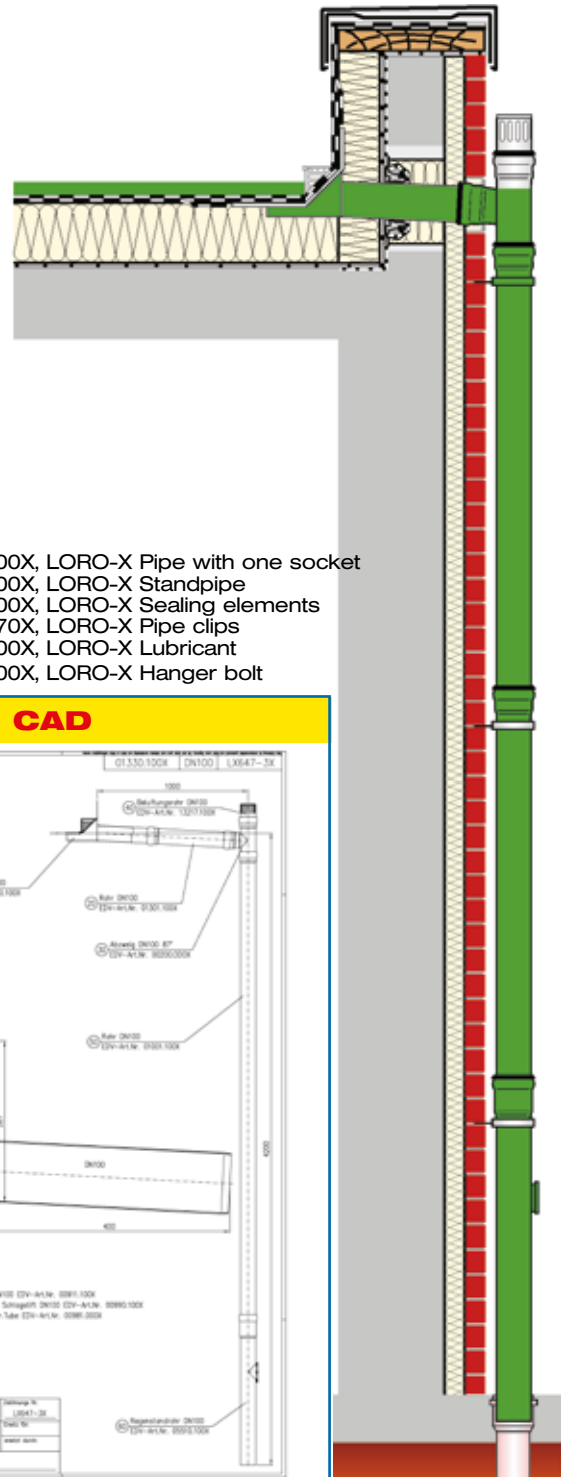
Parapet drainage system Series 43 Parapet-Direct with basin

Main drainage

Gravity flow

Silent

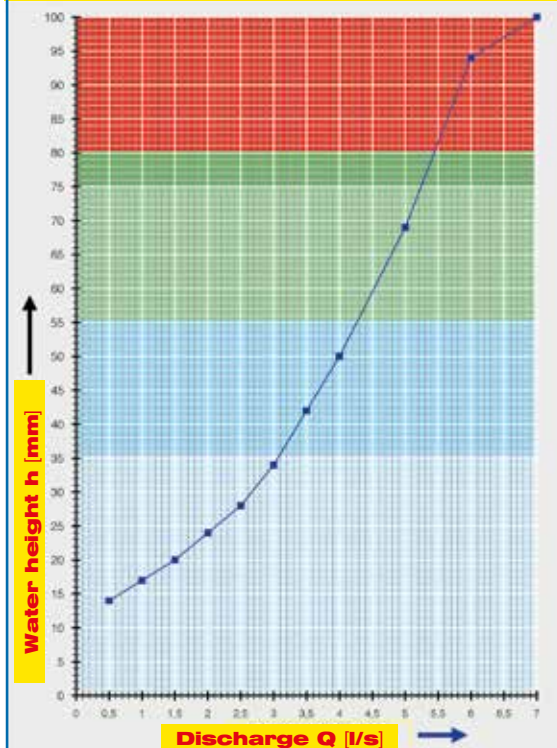
Discharge rate:	3.0 l/s
Water height:	35 mm
Roof penetration:	52 mm
Diameter:	DN 100
LX-Number:	LX 647
Weir height:	0 mm
Drain:	ventilated
Downpipe:	ventilated
Downpipe height:	4.2 m
Drainage:	in sewer
Flange form:	bonding flange 45°



LX 647 Piece list

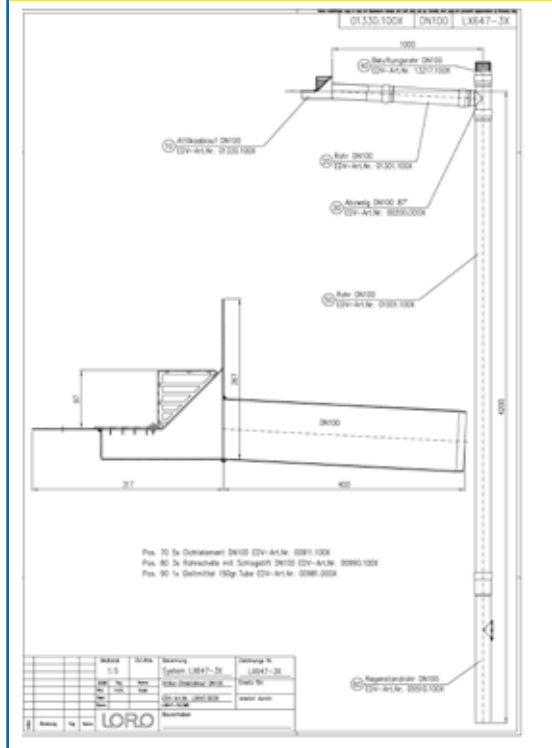
- | | |
|--|--|
| 1 x Art.-No. 01330.100X, Parapet direct drain | 1 x Art.-No. 01001.100X, LORO-X Pipe with one socket |
| 1 x Art.-No. 01317.000X, LORO-X insulation block | 1 x Art.-No. 05510.100X, LORO-X Standpipe |
| 1 x Art.-No. 13235.100X, LORO Sliding flange | 5 x Art.-No. 00911.100X, LORO-X Sealing elements |
| 1 x Art.-No. 01301.100X, LORO-X Pipe with one socket | 3 x Art.-No. 00975.070X, LORO-X Pipe clips |
| 1 x Art.-No. 00200.DD0X, LORO-X Branch | 1 x Art.-No. 00986.000X, LORO-X Lubricant |
| 1 x Art.-No. 13217.100X, Ventilation piece | 3 x Art.-No. 09604.200X, LORO-X Hanger bolt |

hQ - Discharge curve



System power

CAD



System shape

Water height	mm	5	10	15	20	25	30	35	40	45	50	55	60	65	70	75
Discharge	l/s			0.8	1.5	2.1	2.6	3.0	3.4	3.7	4	4.3	4.5	4.8	5	5.2
Silent																

LORO-X Parapet-Direct, with basin

DN 100

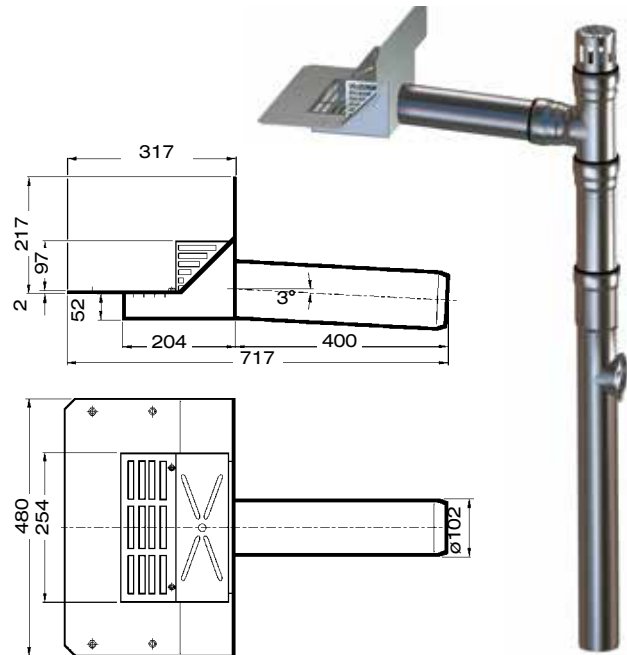
LX647-3X

Series 43

Drain Art.-No. 01330.100X

Weight: 9.2 kg

with bonding flange
for bituminous roofing sheets

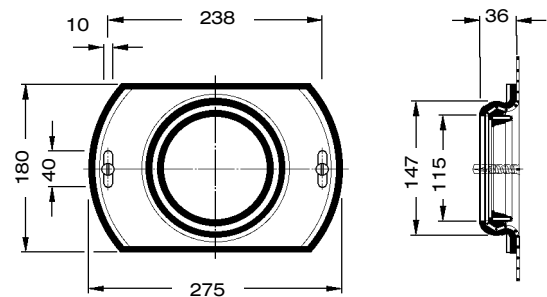


Sliding flange for LORO parapet direct drains

with pre-installed connection sleeve for vapor barrier made of bituminous roofing sheets, made of galvanized steel, including fastening screws

Art.-No. 13235.100X

Weight: 1.7 kg



Trace heating: Lorowerk recommends to check all drains and pipes with regard to their frost-sensibility. Where necessary, these parts should be equipped with a trace heating.